



### PERFORMANCE RANGE

- Flow rate up to **50 l/min** (3 m<sup>3</sup>/h)
- Head up to **47 m**

### APPLICATION LIMITS

- Manometric suction lift up to **9 m** (HS)
- Liquid temperature between **-10 °C** and **+40 °C**
- Ambient temperature up to **+40 °C**
- Max. working pressure **6 bar**
- Continuous service **S1**

### CONSTRUCTION AND SAFETY STANDARDS

EN 60335-1  
IEC 60335-1  
CEI 61-150

EN 60034-1  
IEC 60034-1  
CEI 2-3



### CERTIFICATIONS



### INSTALLATION AND USE

Suitable for use with clean water and liquids that are not chemically aggressive towards the materials from which the pump is made. The self-priming JSW pumps are designed to pump water even in cases where air is present. As a result of their reliability and the fact that they are easy to use, they are recommended for use in domestic applications such as the distribution of water in combination with small or medium sized pressure sets, and for the irrigation of gardens and allotments, etc.

The pump should be installed in an enclosed environment, or at least sheltered from inclement weather.

### PATENTS - TRADE MARKS - MODELS

- Registered Italian model n° 72753
- European Patent n° 1 510 696

### OPTIONALS AVAILABLE ON REQUEST

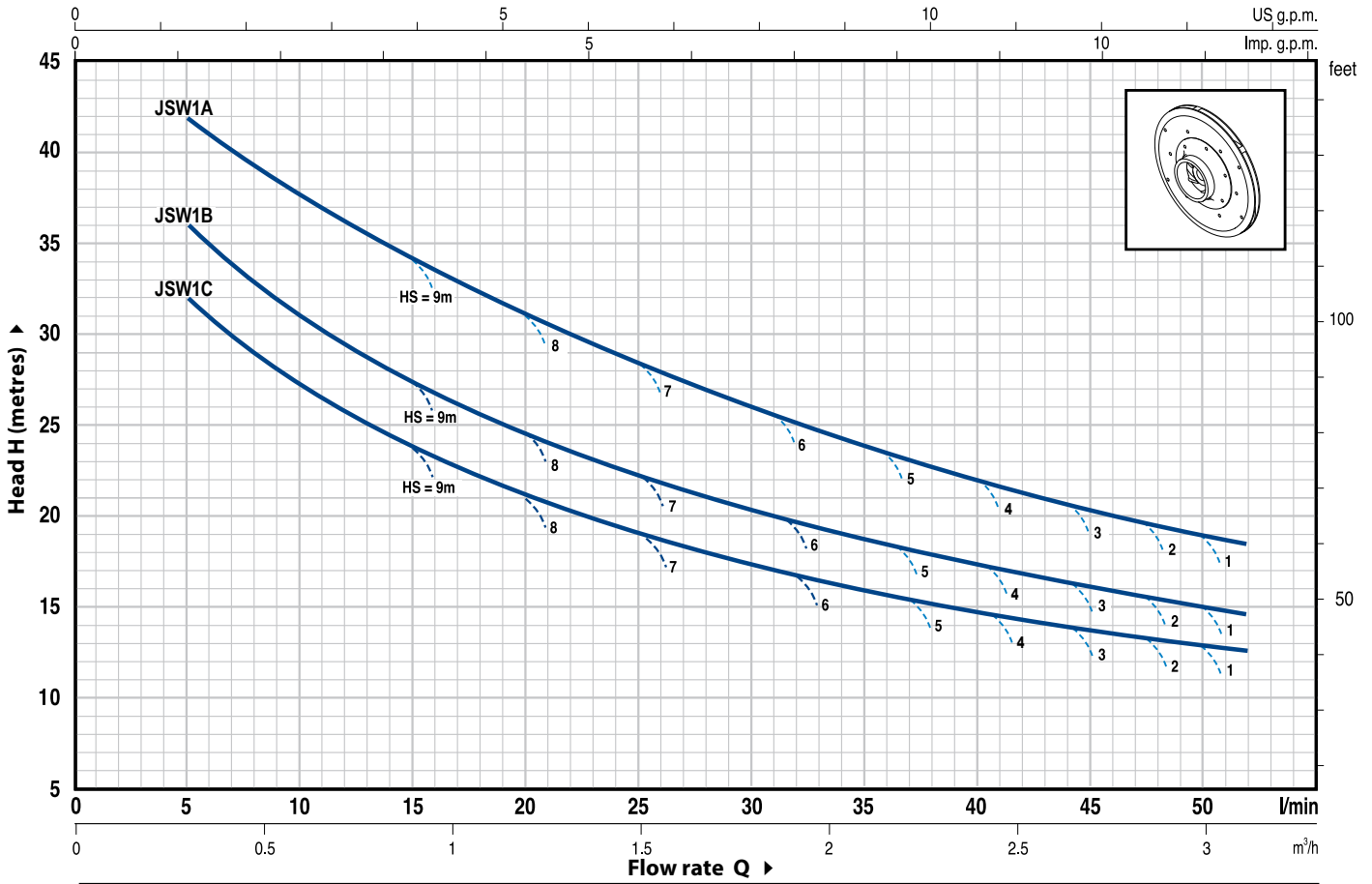
- Pumps with technopolymer impeller
- Other voltages or 60 Hz frequency

### GUARANTEE

1 year subject to terms and conditions

**CHARACTERISTIC CURVES AND PERFORMANCE DATA**

**50 Hz n= 2900 1/min HS= 0 m**

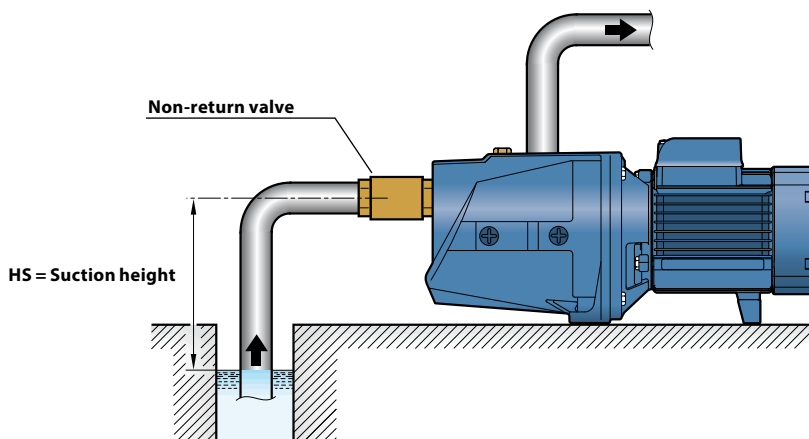


MODEL		POWER		Q	Flow rate														
Single-phase	Three-phase	kW	HP		0	0.3	0.6	0.9	1.2	1.5	1.8	2.1	2.4	2.7	3.0				
JSWm 1C	-	0.37	0.50	H metres	35	32	27	24	21	19	17	16	15	14	13				
JSWm 1B	JSW 1B	0.50	0.70		41	36	31	27	24	22	20	19	17	16	15				
JSWm 1A	JSW 1A	0.60	0.85		47	42	38	34	31	28.5	26	24	22	21.5	19				

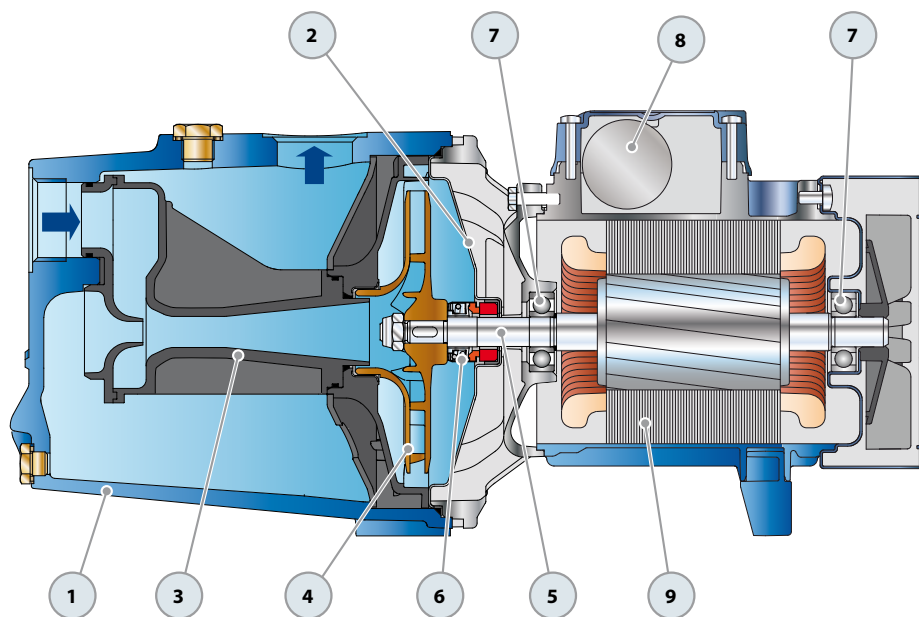
Q = Flow rate H = Total manometric head HS = Suction height

Tolerance of characteristic curves in compliance with EN ISO 9906 Grade 3.

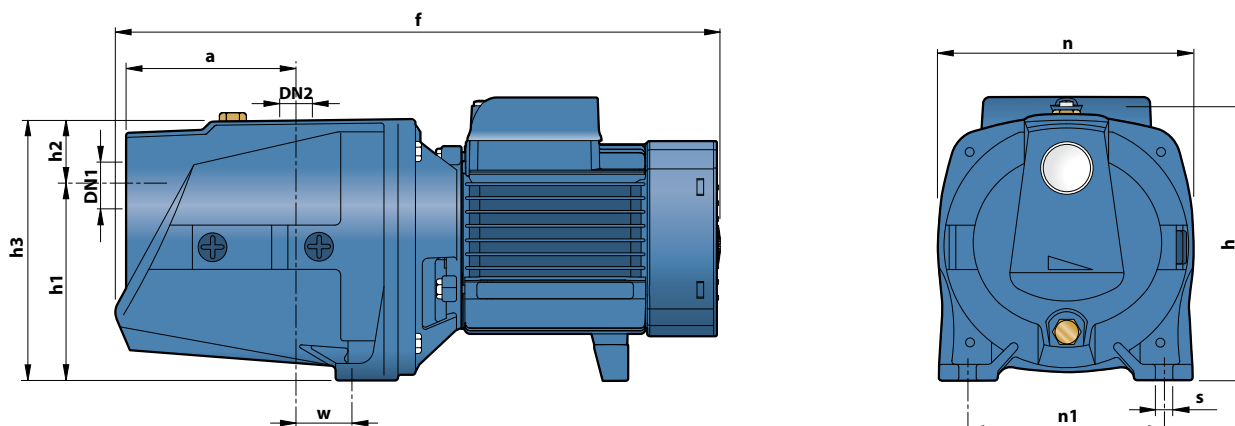
**INSTALLATION EXAMPLE**



POS.	COMPONENT	CONSTRUCTION CHARACTERISTICS				
1	<b>PUMP BODY</b>	Cast iron, complete with threaded ports in compliance with ISO 228/1				
2	<b>BODY BACKPLATE</b>	Stainless steel AISI 304				
3	<b>NOZZLE ASSEMBLY</b>	Noryl GFN2V				
4	<b>IMPELLER</b>	Brass				
5	<b>MOTOR SHAFT</b>	Stainless steel EN 10088-3 - 1.4104				
6	<b>MECHANICAL SEAL</b>	<b>Seal</b>	<b>Shaft</b>	<b>Materials</b>		
		<i>Model</i>	<i>Diameter</i>	<i>Stationary ring</i>	<i>Rotational ring</i>	<i>Elastomer</i>
		<b>AR-12</b>	<b>Ø 12 mm</b>	Ceramic	Graphite	NBR
7	<b>BEARINGS</b>	<b>6201 ZZ / 6201 ZZ</b>				
8	<b>CAPACITOR</b>	<b>Pump</b>	<b>Capacitance</b>			
		<i>Single-phase</i>	<i>(230 V or 240 V)</i>	<i>(110 V)</i>		
		<b>JSWm 1C</b>	<b>10 µF 450 VL</b>	<b>25 µF 250 VL</b>		
		<b>JSWm 1B</b>	<b>10 µF 450 VL</b>	<b>25 µF 250 VL</b>		
		<b>JSWm 1A</b>	<b>14 µF 450 VL</b>	<b>25 µF 250 VL</b>		
9	<b>ELECTRIC MOTOR</b>	<b>JSWm:</b> single-phase 230 V - 50 Hz with thermal overload protector built-in to the winding. <b>JSW:</b> three-phase 230/400 V - 50 Hz. <b>⇒ Pumps fitted with the three-phase motor option offer IE2 (IEC 60034-30) class high performance</b> – Insulation: F class. – Protection: IP X4.				



## DIMENSIONS AND WEIGHT



MODEL		PORTS		DIMENSIONS mm										kg	
Single-phase	Three-phase	DN1	DN2	a	f	h	h1	h2	h3	n	n1	w	s	1~	3~
JSWm 1C	-	1"	1"	115	373	171	127	33.5	160.5	160	124	24	10	9.2	-
JSWm 1B	JSW 1B													10.0	9.5
JSWm 1A	JSW 1A													10.3	10.1

## ABSORPTION

MODEL	VOLTAGE (single-phase)		
	230 V	240 V	110 V
Single-phase	230 V	240 V	110 V
JSWm 1C	2.4 A	2.2 A	4.8 A
JSWm 1B	3.2 A	2.9 A	6.5 A
JSWm 1A	3.6 A	3.3 A	7.3 A

MODEL	VOLTAGE (three-phase)					
	230 V	400 V	690 V	240 V	415 V	720 V
Three-phase	230 V	400 V	690 V	240 V	415 V	720 V
JSW 1B	2.1 A	1.2 A	0.7 A	2.0 A	1.2 A	0.7 A
JSW 1A	2.8 A	1.6 A	0.9 A	2.7 A	1.6 A	0.9 A

## PALLETIZATION

MODEL		GROUPAGE				CONTAINER			
Single-phase	Three-phase	n° pumps	H (mm)	kg		n° pumps	H (mm)	kg	
				1~	3~			1~	3~
JSWm 1C	-	98	1440	920	-	154	2180	1440	-
JSWm 1B	JSW 1B	98	1440	1000	950	154	2180	1560	1480
JSWm 1A	JSW 1A	98	1440	1030	1010	154	2180	1600	1570

