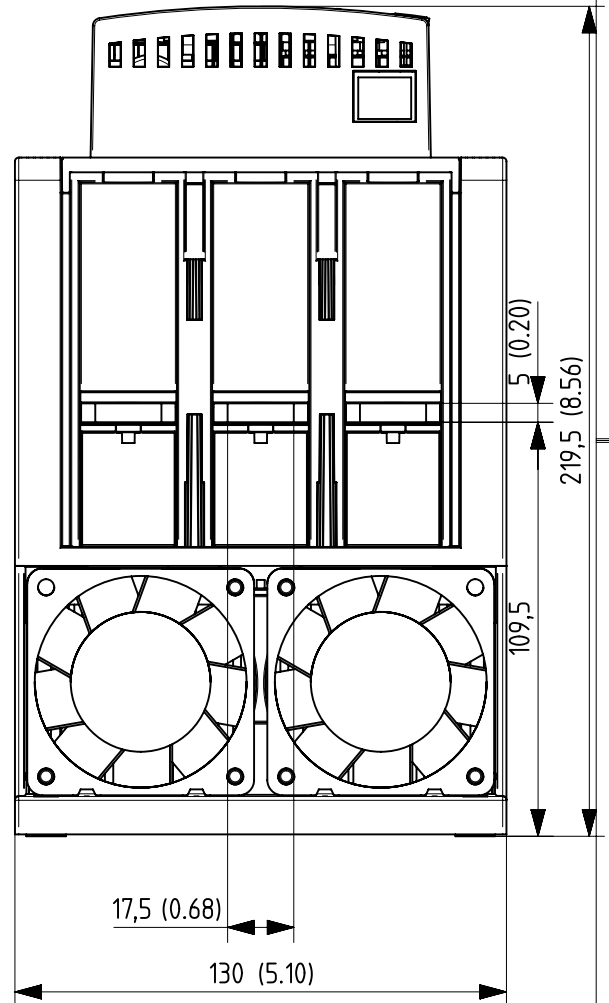
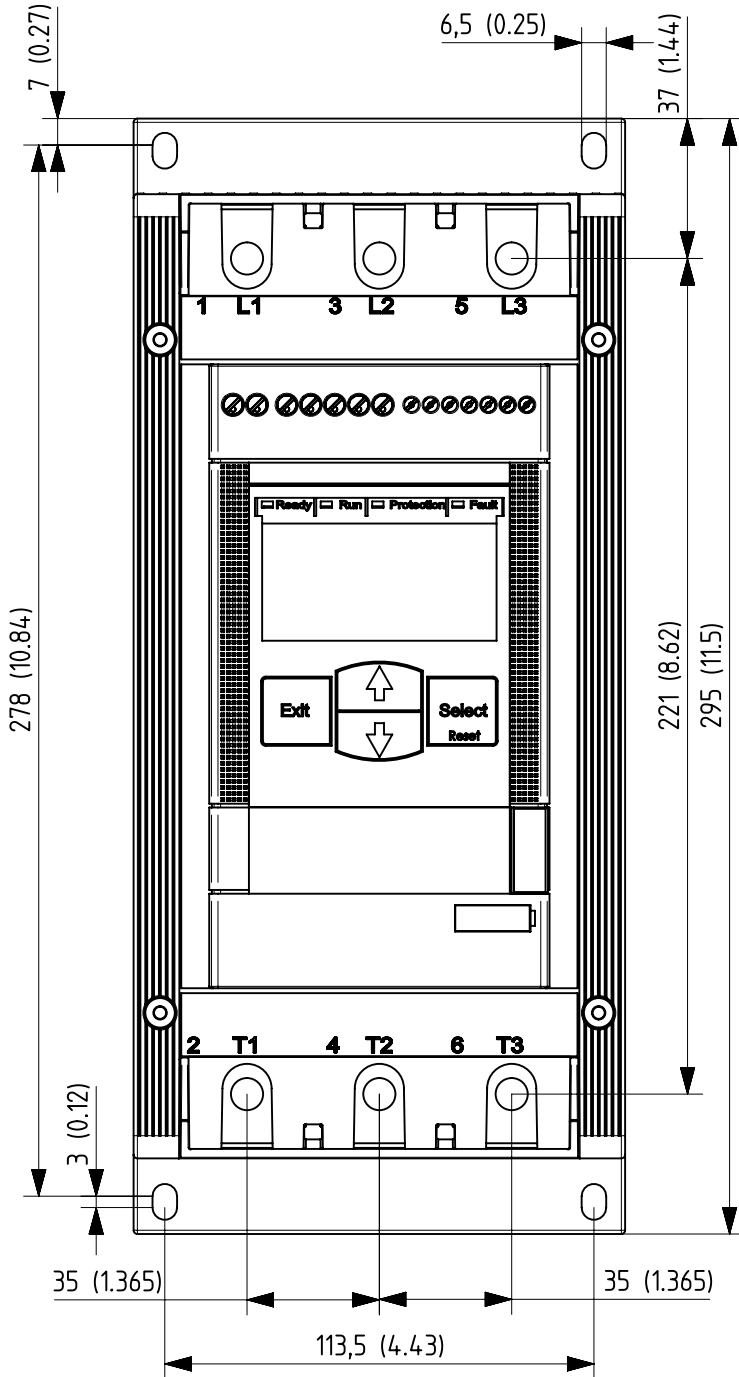


| Rev ind | Revision | Appd | Date |
|---------|----------|------|------|
| | | | |

We reserve all rights in this document and in the information contained herein. Reproduction, use or disclosure to third parties without express authority is strictly forbidden. © ABB



| Item No | Article No | Qty. | Material, Type, etc | Dimension | Name of Item |
|----------------------|------------------|-------------|-----------------------|----------------------|--------------|
| Prepared | Kristoffer Kling | | Responsible dep RM | Title Softstarter | |
| Approved | Kristoffer Kling | 01-Nov-2010 | Take over dep | Dimension Print | |
| Revision | - | | Scale 1:2 | Document Number | Lang en |
| ABB AB, Cewe-Control | | | | 1SFB536247G1002 | Cont 1 |
| | | | | | Sheet 1 |